

Switch Language

English

Need Assistance?

- [Contact Us](#)
- [Find a Distributor](#)
- [Order Samples](#)
- [Tech Library](#)

[Printer-friendly page](#)

[Email this page](#)

[Home](#) [Terminal Blocks](#) [Datasheet](#)

Part Number: 0391001112

Status: Active

Description: 10.00mm (.394") Pitch Beau™ Eurostyle™ Two-Screw Terminal Strips, 12 Circuits, Low Profile

Documents:

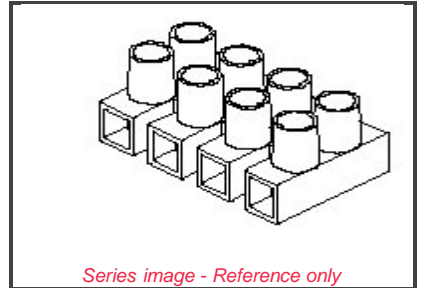
Note - Please disable browser pop-up blockers for documents on www.molex.com

[Drawing \(PDF\)](#)

[3D Model](#)

[Product Literature \(PDF\)](#)

[Related Catalog Page \(PDF\)](#)



Order Products:

[Check Distributor Inventory](#)

[Add to My Parts](#)

[Request Samples](#)

Part Detail: [\(show all\)](#)

[General](#) [Physical](#) [Electrical](#) [Material Info](#)

General

Product Family	Terminal Blocks
Series	39100
Application	Wire-to-Wire
Component Type	One Piece
Product Name	Eurostyle™ Two Screw
Type	Euro Block

Physical

Circuits (Loaded)	12
Entry Angle	Horizontal
Lock to Mating Part	None
Number of Rows	2
Orientation	Vertical
PCB Retention	Yes
Panel Mount	Mounting Holes Between Circuit
Pitch - Mating Interface (in)	0.394 In
Pitch - Mating Interface (mm)	10.00 mm
Pitch - Term. Interface (in)	0.315 In
Pitch - Term. Interface (mm)	8.00 mm
Polarized to Mating Part	No
Stackable	No
Temperature Range - Operating	100°C
Wire Size AWG	10
Wire Size AWG	12
Wire Size AWG	14
Wire Size AWG	16
Wire Size AWG	18

Electrical

Current - Maximum	30.000 Amp
Voltage - Maximum	300V

Material Info

EU RoHS

ELV and RoHS Compliant

China RoHS



Need more information on product compliance?

Email productcompliance@molex.com

Please visit the [Contact Us](#) section for any non-product compliance questions.

Search Parts in this Series

[39100 Series](#)

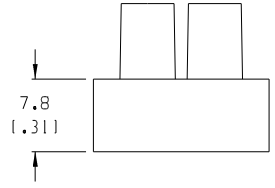
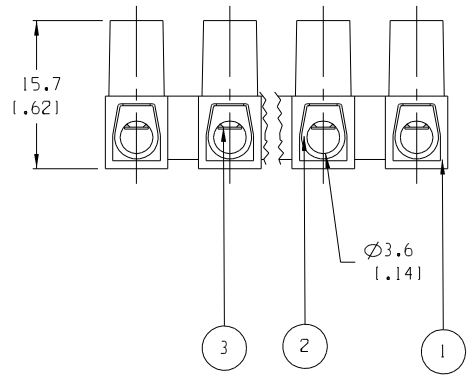
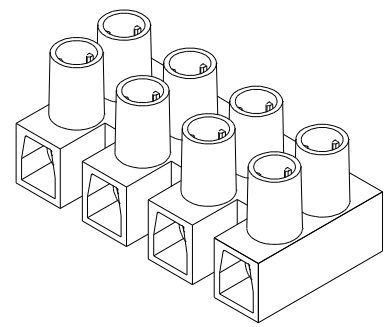
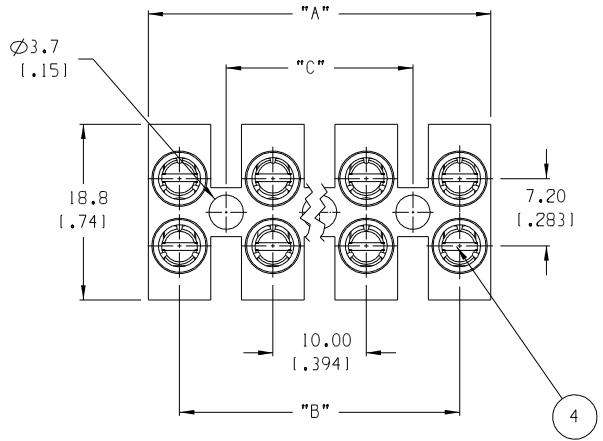
Reference - Drawing Numbers

Sales Drawing

SD-39100-003

[Feedback](#) [Privacy](#) [Legal](#) [Site Map](#) [Help](#)

Copyright 2005-2008



NUMBER OF CIRCUITS	"A" DIM.	"B" DIM.	"C" DIM.	MATERIAL NUMBER
01	7.00 [2.761]	N/A	N/A	391001101
02	17.00 [1.6691]	10.00 [1.394]	N/A	391001102
03	27.00 [1.0631]	20.00 [1.7871]	10.00 [1.394]	391001103
04	37.00 [1.4571]	30.00 [1.1811]	20.00 [1.7871]	391001104
05	47.00 [1.8501]	40.00 [1.5751]	30.00 [1.1811]	391001105
06	57.00 [2.2441]	50.00 [1.9691]	40.00 [1.5751]	391001106
07	67.00 [2.6381]	60.00 [2.3621]	50.00 [1.9691]	391001107
08	77.00 [3.0311]	70.00 [2.7561]	60.00 [2.3621]	391001108
09	87.00 [3.4251]	80.00 [3.1501]	70.00 [2.7561]	391001109
10	97.00 [3.8191]	90.00 [3.5431]	80.00 [3.1501]	391001110
11	107.00 [4.2131]	100.00 [3.9371]	90.00 [3.5431]	391001111
12	117.00 [4.6061]	110.00 [4.3311]	100.00 [3.9371]	391001112

- NOTES:
1. MATERIAL: SEE TABLE
 2. FINISHES: SEE TABLE
 3. PRODUCT SPECIFICATION: NOT REQUIRED
 4. PACKAGING: NOT REQUIRED
 5. MATES WITH: NONE
 6. "XX" REFERS TO THE NUMBER OF CIRCUITS

ITEM	QTY.	DESCRIPTION	MATERIAL	FINISH
4	XX*2	CLAMPING SCREWS, M3	STEEL	ZINC
3	XX	WIRE PROTECTOR	BRASS	NICKEL
2	XX	TERMINAL	BRASS	NICKEL
1	1	INSULATOR	NYLON 6	CLEAR

EC NO. RELEASED DRAWN: JF 09-09-04 CH: K1 APPR:	DESCRIPTION MAJOR CRITICAL SPC S	GENERAL TOLERANCES: (UNLESS SPECIFIED) mm INCH 4 PLACES ±.0015 3 PLACES ±.038 ±.005 2 PLACES ±.13 ±.01 1 PLACE ±.3		SCALE: 2:1 DESIGN UNITS: <input type="checkbox"/> mm <input checked="" type="checkbox"/> INCH	THIRD ANGLE PROJECTION	PROJECT NO.: DIMENSIONS: <input checked="" type="checkbox"/> mm <input type="checkbox"/> INCH <input type="checkbox"/> mm ONLY	SHEET REV SHT REV REVISE ON CAD ONLY	
		DRAWN BY & DATE J. FARMER 09-09-04		CHECKED BY & DATE		TITLE: 10MM PITCH LOW PROFILE WITH WIRE PROTECTORS		
		APPROVED BY & DATE		CAD FILENAME 39100-11XX		MATERIAL NO. SEE CHART		DRAWING NO. SD-39100-003
		DRAFT WHERE APPLICABLE MUST REMAIN WITHIN DIMENSIONS		ANGULAR: ±2°		SHEET NO. 1 OF 1		
THIS DRAWING CONTAINS INFORMATION THAT IS PROPRIETARY TO MOLEX INCORPORATED AND SHOULD NOT BE USED WITHOUT WRITTEN PERMISSION.				SIZE B				